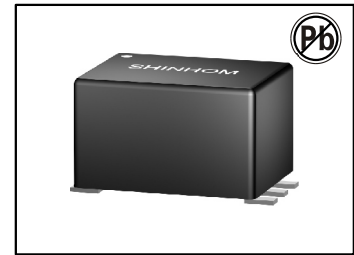


# SURFACE MOUNT LINE MATCHING TRANSFORMERS

## AT802 SERIES



### FEATURES:

- Subminiature in SMT
- 7.36mm seated height
- Tested at 4600 Vrms, 1minute
- Distortion of only 0.015%
- Vacuum encapsulated
- UL60950 certified
- RoHS compliant\*

### OPTIONS:

- Tape and reel is standard (400 pcs. per reel)
- Bulk packaging available for smaller quantities
- Custom design available
- Tolerance: 5% is standard, tighter tolerance available

### COMMON APPLICATIONS:

- Modems(V32)
- Laptop Computer
- Telecommunications
- Instrumentation
- PCMCIA

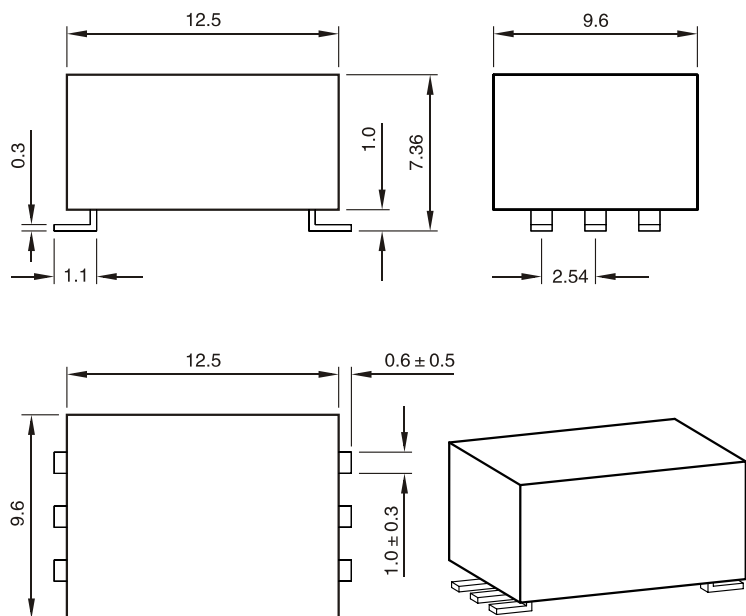
### ELECTRICAL CHARACTERISTICS

<b>Nominal Impedance:</b>	600 Ω
<b>Turns Ratio:</b>	1:1
<b>Insertion Loss:</b>	2.0dB max. at 2kHz
<b>Frequency Response:</b>	± 0.25dB max. 200–4kHz
<b>Return Loss:</b>	24dB min. 200–4kHz *
<b>Balance:</b>	80dB min.
<b>Distortion:</b>	-85dB max. @600Hz, -10dBm
<b>Dielectric Strength:</b>	4600 Vrms for 1 min.
<b>Insulation Resistance:</b>	100MΩ @500V
<b>DC Resistance * *</b>	
<b>Primary:</b>	136 Ω ± 12%
<b>Secondary:</b>	136 Ω ± 12%
<b>Shunt Inductance:</b>	3.8H min.
<b>Shunt:</b>	7500 Ω min.
<b>Leakage Inductance:</b>	6–7mH typ. @1kHz
<b>Power Level:</b>	10dBm
<b>Operating Temperature:</b>	-20°C~+85°C
<b>Storage Temperature:</b>	-40°C~+85°C
<b>Terminal Plating Material:</b>	AgSn

\* For use with recommended circuit (BS6305 impedance Class A non-speech or Class B speech)

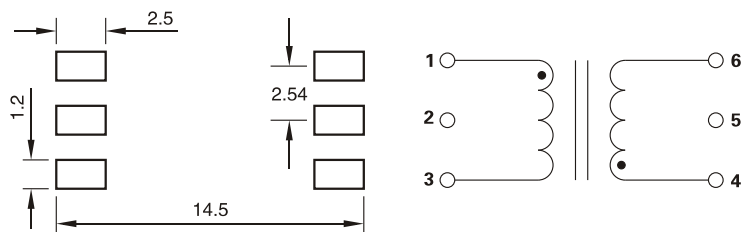
\* AT802 is symmetrical, meaning there is no real primary nor secondary winding.

### PHYSICAL CHARACTERISTICS



Note: All Dimensions in mm

### TECHNICAL INFORMATION



Suggested PCB Layout

Schematic

Note: All Dimensions in mm