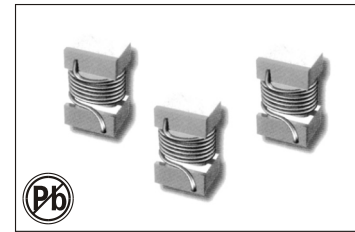


SURFACE-MOUNT WIRE-WOUND CERAMIC CHIP INDUCTORS

AISC-0402 SERIES



FEATURES:

- Ceramic Core
- High frequency design
- Excellent Q values
- Excellent SRF
- High reliability
- Excellent thermal stability

OPTIONS:

- Packaging: Tape & Reel is standard (Qty: 4000pcs)
Bulk packaging available for smaller quantities
- Tolerance: 10% and 5% is standard, tighter tolerances available

COMMON APPLICATIONS:

- Modems
- Mobile Radios
- Cordless Telephones
- Global Positioning Systems
- Telecommunications Systems

ELECTRICAL CHARACTERISTICS:

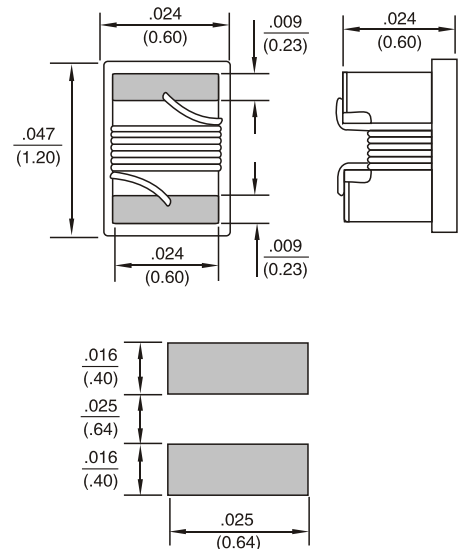
Part Number	L (μH)	Tol %	Q Min	Test Freq MHz	SRF MHz Min	DCR Ω Max	IDC Max mA
AISC-0402-0010K	.0010	± 10	16	250	>6000	0.045	1360
AISC-0402-0020K	.0020	± 10	16	250	>6000	0.070	1040
AISC-0402-0022K	.0022	± 10	19	250	>6000	0.070	960
AISC-0402-0033K	.0033	± 10	19	250	6000	0.066	840
AISC-0402-0036K	.0036	± 10	19	250	6000	0.066	840
AISC-0402-0039K	.0039	± 10	19	250	5800	0.066	840
AISC-0402-0051K	.0051	± 10	20	250	5800	0.083	800
AISC-0402-0056K	.0056	± 10	20	250	5800	0.083	760
AISC-0402-0062K	.0062	± 10	20	250	5800	0.083	760
AISC-0402-0075K	.0075	± 10	22	250	5800	0.104	680
AISC-0402-0082K	.0082	± 10	22	250	4400	0.104	680
AISC-0402-0090K	.0090	± 10	22	250	4160	0.104	680
AISC-0402-011K	.011	± 10	24	250	3860	0.120	640
AISC-0402-012J	.012	± 5	24	250	3600	0.120	640
AISC-0402-015J	0.15	± 5	24	250	3280	0.172	560
AISC-0402-019J	0.19	± 5	24	250	3040	0.202	480
AISC-0402-023J	0.23	± 5	24	250	2720	0.214	400
AISC-0402-027J	0.27	± 5	24	250	2480	0.298	400
AISC-0402-036J	0.36	± 5	24	250	2320	0.403	320
AISC-0402-040J	0.40	± 5	24	250	2240	0.438	320

Note: 1. K= ± 10%, M= ± 20%, N= ± 30%

TECHNICAL INFORMATION:

- Testing: (Equivalent acceptable)
Inductance: HP4191A
Q: HP4291A
SRF: HP8753B
RDC: measured @ 25°C
- Operating Temperature: Ceramic -55°C to +125°C
- Pad metalization: Tungsten-nickel with gold flash
- Solder methods: Wave, Reflow, Vapor Phase
- Solderability: Max 260°C for 10 seconds
- Marking: EIA color code

PHYSICAL CHARACTERISTICS:



Dimensions: Inches (mm)