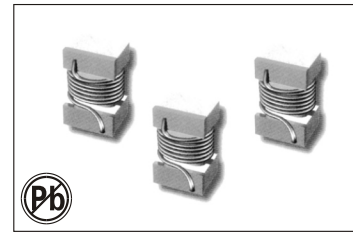


SURFACE-MOUNT WIRE-WOUND CERAMIC CHIP INDUCTORS

AISC-0805 SERIES



FEATURES:

- Ceramic Core
- 0805F: Specify Ferrite
- High frequency design
- Excellent Q values
- Excellent SRF
- High reliability
- Excellent thermal stability

OPTIONS:

- Packaging: Tape & Reel is standard (Qty:3000pcs)
- Bulk packaging available for smaller quantities
- Tolerance: 10% and 5% is standard, tighter tolerances available

COMMON APPLICATIONS:

- Modems
- Mobile Radios
- Cordless Telephones
- Global Positioning Systems
- Telecommunications Systems

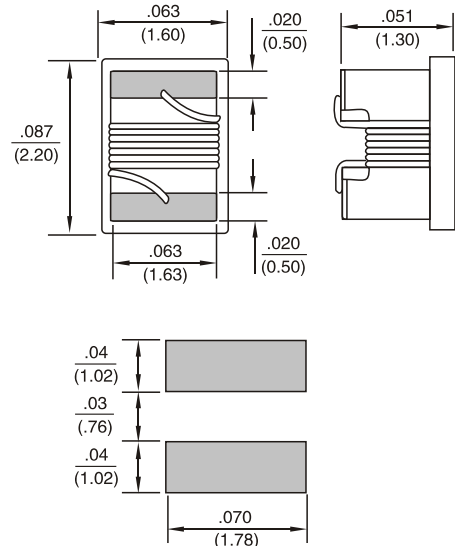
ELECTRICAL CHARACTERISTICS:

Part Number	L (μH)	Tol %	Q Min	Test Freq MHz	SRF MHz Min	DCR Ω Max	IDC Max mA
AISC-0805-0022K	.0022	± 10	50	1500	8500	0.030	800
AISC-0805-0027K	.0027	± 10	50	1500	8000	0.045	800
AISC-0805-0033K	.0033	± 10	50	1500	7900	0.090	600
AISC-0805-0056K	.0056	± 10	65	1000	5500	0.065	600
AISC-0805-0068K	.0068	± 10	50	1000	5500	0.110	600
AISC-0805-0082J	.0082	± 5	50	1000	4700	0.120	600
AISC-0805-010J	0.010	± 5	60	500	4200	0.150	600
AISC-0805-012J	0.012	± 5	50	500	4000	0.150	600
AISC-0805-015J	0.015	± 5	50	500	3400	0.170	600
AISC-0805-018J	0.018	± 5	50	500	3300	0.200	600
AISC-0805-022J	0.022	± 5	55	500	2600	0.220	500
AISC-0805-027J	0.027	± 5	55	500	2500	0.250	500
AISC-0805-033J	0.033	± 5	60	500	2050	0.270	500
AISC-0805-039J	0.039	± 5	60	500	2000	0.290	500
AISC-0805-047J	0.047	± 5	60	500	1650	0.310	500
AISC-0805-056J	0.056	± 5	60	500	1550	0.340	500
AISC-0805-062J	0.062	± 5	60	500	1500	0.380	500
AISC-0805-068J	0.068	± 5	60	500	1450	0.380	500
AISC-0805-082J	0.082	± 5	65	500	1300	0.420	400
AISC-0805-R10J	0.100	± 5	65	500	1200	0.460	400
AISC-0805-R12J	0.120	± 5	50	250	1100	0.510	400
AISC-0805-R15J	0.150	± 5	50	250	920	0.560	400
AISC-0805-R18J	0.180	± 5	50	250	870	0.640	400
AISC-0805-R20J	0.200	± 5	50	250	850	1.000	400
AISC-0805-R22J	0.220	± 5	50	250	850	1.050	400
AISC-0805-R27J	0.270	± 5	48	250	650	1.100	350
AISC-0805-R33J	0.330	± 5	48	250	600	1.400	310
AISC-0805-039K	0.390	± 10	48	250	560	1.500	290
AISC-0805-R47K	0.470	± 10	33	100	375	1.760	250
AISC-0805-R56K	0.560	± 10	23	50	340	1.900	230
AISC-0805-062K	0.620	± 10	23	50	320	2.080	200
AISC-0805-R68K	0.680	± 10	23	50	300	2.100	190
AISC-0805-075K	0.750	± 10	23	50	280	2.120	180
AISC-0805-082K	0.820	± 10	23	50	250	2.140	180
AISC-0805-091K	0.910	± 10	23	50	220	2.280	180
AISC-0805-1R0K	1.000	± 10	23	50	200	2.400	170
AISC-0805-1R2K	1.200	± 10	22	50	180	2.550	170
AISC-0805-1R5K	1.500	± 10	21	50	170	2.800	160
AISC-0805-1R8K	1.800	± 10	21	50	160	3.200	150
AISC-0805-2R2K	2.200	± 10	21	50	150	3.800	150
AISC-0805F-1R2J	1.200	65	23	7.96	350	1.05	600
AISC-0805F-1R5J	1.500	65	23	7.96	300	1.20	580
AISC-0805F-1R8J	1.800	65	23	7.96	260	1.35	550
AISC-0805F-2R2J	2.200	65	20	7.96	210	1.50	510
AISC-0805F-2R7J	2.700	65	20	7.96	160	1.70	460
AISC-0805F-3R3J	3.300	65	20	7.96	130	1.80	430
AISC-0805F-3R9J	3.900	65	20	7.96	115	1.95	400
AISC-0805F-4R7J	4.700	65	20	7.96	105	2.05	370
AISC-0805F-5R6J	5.600	65	20	7.96	90	2.30	360
AISC-0805F-6R8J	6.800	65	20	7.96	85	2.60	330

TECHNICAL INFORMATION:

- Testing: (Equivalent acceptable)
Inductance: HP4191A
Q: HP4291A
SRF: HP8753B
RDC: measured @ 25°C
- Operating Temperature: Ceramic -55°C to +125°C
- Pad metalization: Tungsten-nickel with gold flash
- Solder methods: Wave, Reflow, Vapor Phase
- Solderability: Max 260°C for 10 seconds
- Marking: EIA color code

PHYSICAL CHARACTERISTICS:



Dimensions: Inches (mm)