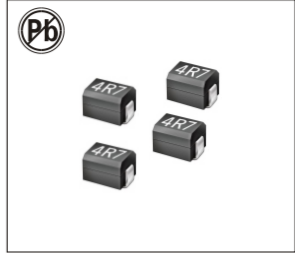


# HIGH CURRENT SURFACE MOUNT WOUND MOLDED CHIP INDUCTORS

## AISM1210C SERIES



### FEATURES:

- Lead-free materials is used for the plating on the terminals.
- The product uses metal terminals, which realize excellent connection reliability.
- High resistance to heat, humidity, mechanical shocks and presser. Accurate dimensions for automatically surface mounted.
- The product has good heat durability that withstands lead-free compatible reflow soldering conditions.

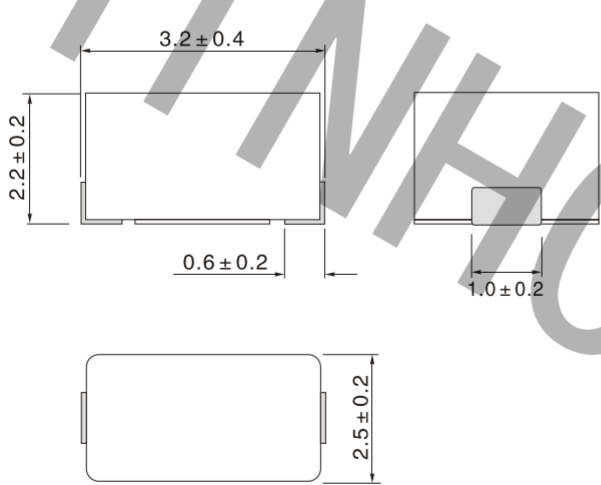
### APPLICATIONS:

- Communication
- Equipment
- Instrument
- Video & audio

## ELECTRICAL CHARACTERISTICS:

Part Number	Inductance (uH)	Inductance Tolerance (%)	Q min.	Test Frequency L,Q (MHz)	Self-resonant Frequency (MHz)min.	DC resistance (Ω) max.	Rated current. (mA)max.
AISM1210C-1R0M	1	± 20%	10	7.96	100	0.156	770
AISM1210C-1R5M	1.5	± 20%	10	7.96	80	0.195	580
AISM1210C-2R2M	2.2	± 20%	10	7.96	65	0.260	480
AISM1210C-3R3M	3.3	± 20%	10	7.96	55	0.325	400
AISM1210C-4R7M	4.7	± 20%	10	7.96	45	0.520	320
AISM1210C-6R8M	6.8	± 20%	10	7.96	35	0.650	280
AISM1210C-100K	10	± 10%	15	2.52	28	1.105	220
AISM1210C-150K	15	± 10%	15	2.52	25	1.69	180
AISM1210C-220K	22	± 10%	15	2.52	20	2.60	145
AISM1210C-330K	33	± 10%	15	2.52	15	3.64	115
AISM1210C-390K	39	± 10%	15	2.52	14	4.50	110
AISM1210C-470K	47	± 10%	15	2.52	13	5.46	105
AISM1210C-680K	68	± 10%	15	2.52	10	8.45	85
AISM1210C-820K	82	± 10%	15	2.52	9	8.71	80
AISM1210C-101K	100	± 10%	15	0.796	8	9.14	75

## PHYSICAL CHARACTERISTICS

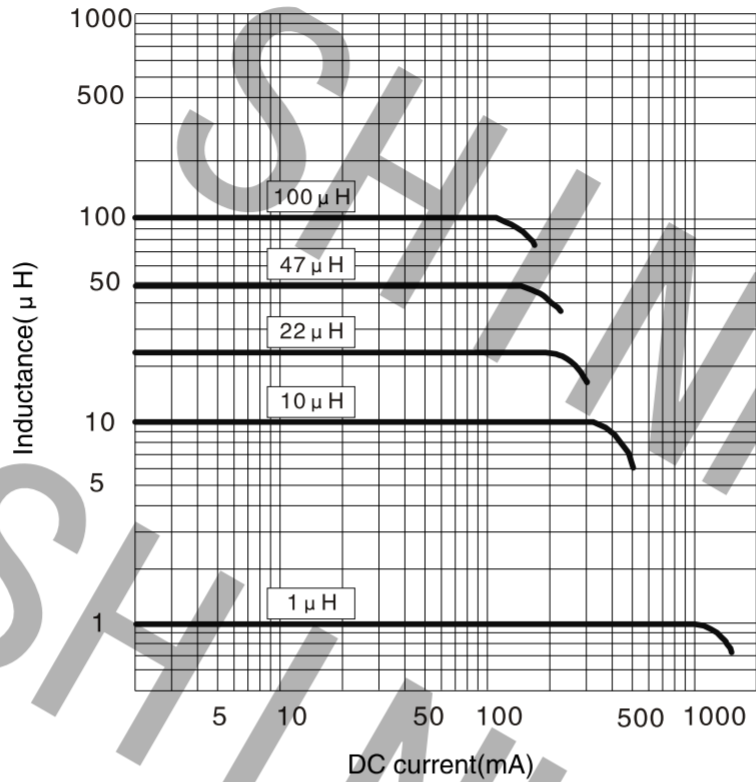


### Winding

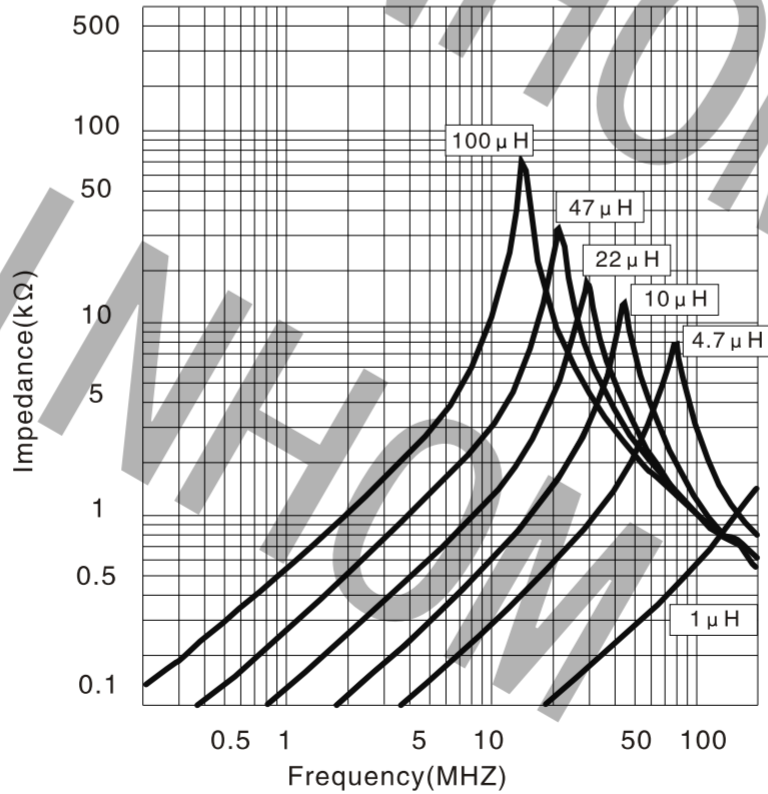


- Testing: (Equivalent acceptable)
- Inductance: HP4285A
- RDC: QuadTech 1880 Milliohmeter
- Q: HP4342A
- SRF: HP4291A
- Operating temperature: -25°C to +85°C
- Storage Temperature: -40°C to +85°C
- Resistance to soldering heat: 260°C for 10 seconds
- Marking: Inductance & Tolerance

### DC BIASE CURVE

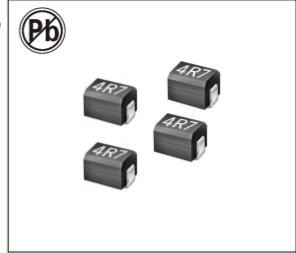


### IMPEDANCE VS FREQUENCY CURVE



# HIGH CURRENT SURFACE MOUNT WOUND MOLDED CHIP INDUCTORS

## AISM1812C SERIES



### FEATURES:

- Lead-free materials is used for the plating on the terminals.
- The product uses metal terminals, which realize excellent connection reliability.
- High resistance to heat, humidity, mechanical shocks and presser. Accurate dimensions for automatically surface mounted.
- The product has good heat durability that withstands lead-free compatible reflow soldering conditions.

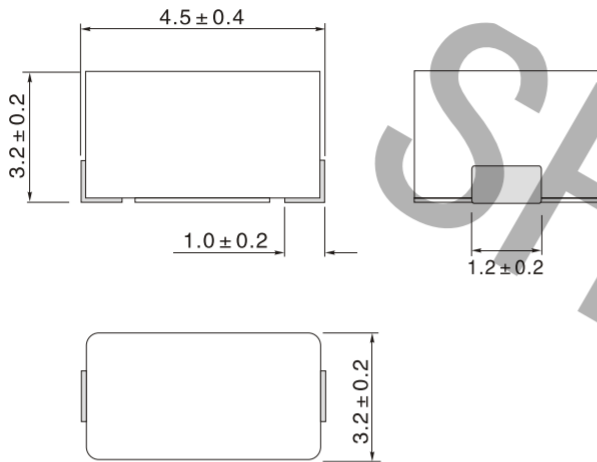
### APPLICATIONS:

- Communication
- Equipment
- Instrument
- Video & audio

### ELECTRICAL CHARACTERISTICS:

Part Number	Inductance (uH)	Inductance Tolerance (%)	Q min.	Test Frequency L,Q (MHz)	Self-resonant Frequency (MHz)min.	DC resistance (Ω) max.	Rated current. (mA)max.
AISM1812C-1R0K	1.0	± 10%	10	7.96	180	0.11	1050
AISM1812C-1R2K	1.2	± 10%	10	7.96	160	0.12	1000
AISM1812C-1R5K	1.5	± 10%	10	7.96	130	0.15	950
AISM1812C-1R8K	1.8	± 10%	10	7.96	100	0.16	900
AISM1812C-2R2K	2.2	± 10%	10	7.96	80	0.18	850
AISM1812C-2R7K	2.7	± 10%	10	7.96	60	0.20	800
AISM1812C-3R3K	3.3	± 10%	10	7.96	45	0.22	750
AISM1812C-3R9K	3.9	± 10%	10	7.96	40	0.24	700
AISM1812C-4R7K	4.7	± 10%	10	7.96	35	0.27	650
AISM1812C-5R6K	5.6	± 10%	10	7.96	30	0.30	650
AISM1812C-6R8K	6.8	± 10%	10	7.96	28	0.35	600
AISM1812C-8R2K	8.2	± 10%	10	7.96	25	0.40	600
AISM1812C-100K	10	± 10%	10	2.52	22	0.50	550
AISM1812C-120K	12	± 10%	10	2.52	21	0.60	500
AISM1812C-150K	15	± 10%	10	2.52	20	0.70	450
AISM1812C-180K	18	± 10%	10	2.52	19	0.80	400
AISM1812C-220K	22	± 10%	10	2.52	18	0.9	370
AISM1812C-270K	27	± 10%	10	2.52	16	1.2	330
AISM1812C-330K	33	± 10%	10	2.52	14	1.4	300
AISM1812C-390K	39	± 10%	10	2.52	12	1.6	280
AISM1812C-470K	47	± 10%	10	2.52	11.5	1.9	260
AISM1812C-560K	56	± 10%	10	2.52	11	2.2	240
AISM1812C-680K	68	± 10%	10	2.52	10	2.6	220
AISM1812C-820K	82	± 10%	10	2.52	9	3.5	200
AISM1812C-101K	100	± 10%	20	0.796	8	4.0	180
AISM1812C-121K	120	± 10%	20	0.796	7.5	4.5	160
AISM1812C-151K	150	± 10%	20	0.796	7	6.5	140
AISM1812C-181K	180	± 10%	20	0.796	6.5	7.5	120
AISM1812C-221K	220	± 10%	20	0.796	5.5	9.0	120
AISM1812C-271K	270	± 10%	20	0.796	5	11	100
AISM1812C-331K	330	± 10%	20	0.796	4	13	90

**PHYSICAL CHARACTERISTICS**



**Winding**



- Testing: (Equivalent acceptable)  
Inductance: HP4285A  
RDC: QuadTech 1880 Milliohmmer  
Q: HP4342A  
SRF: HP4291A
- Operating temperature: -25°C to +85°C
- Storage Temperature: -40°C to +85°C
- Resistance to soldering heat: 260°C for 10 seconds
- Marking: Inductance & Tolerance

**DC BISE CURVE      IMPEDANCE VS FREQUENCY CURVE**

