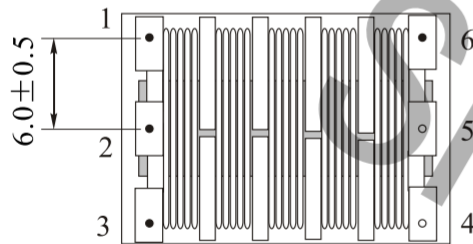
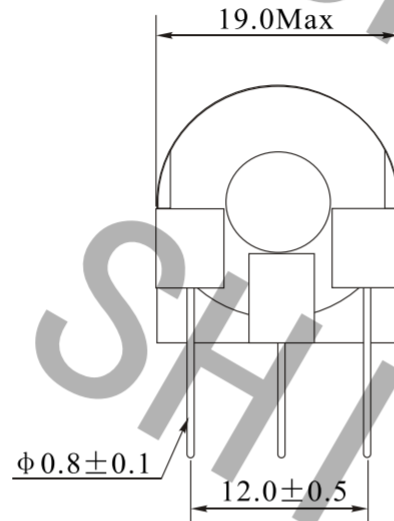
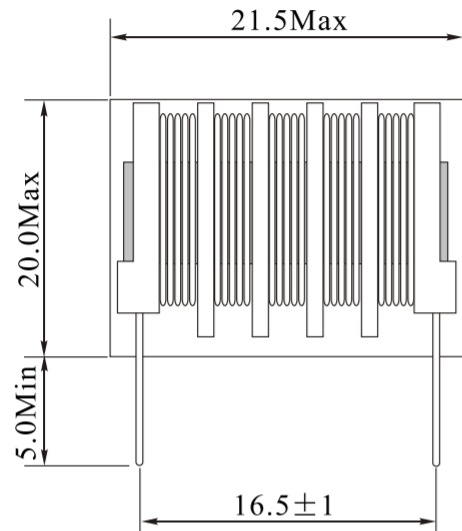
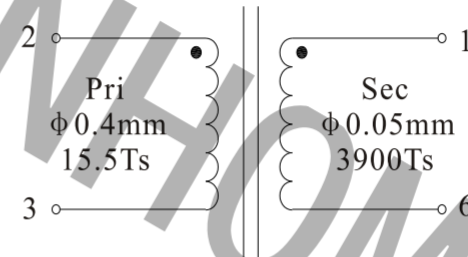


Rev.	Description	Date
A0	New release	2020.08.26

1. PHYSICAL CHARACTERISTICS (mm)



2. ELECTRONICAL SCHEMATIC



3. ELECTRONICAL SPECIFICATIONS

Inductance: Pin2-3: $8\mu\text{H} \pm 20\%$ @1KHz,1V

Pin1-6: $375\text{mH} \pm 20\%$ @1KHz,1V

DCR: Pin2-3: $120\text{m}\Omega$ Max

Pin1-6: $1.5\text{K}\Omega$ Max

Turns ratio: Sec: Pri = 251.6:1

Hi-Pot: 3KVac, 5mA, 1min Pri to Sec

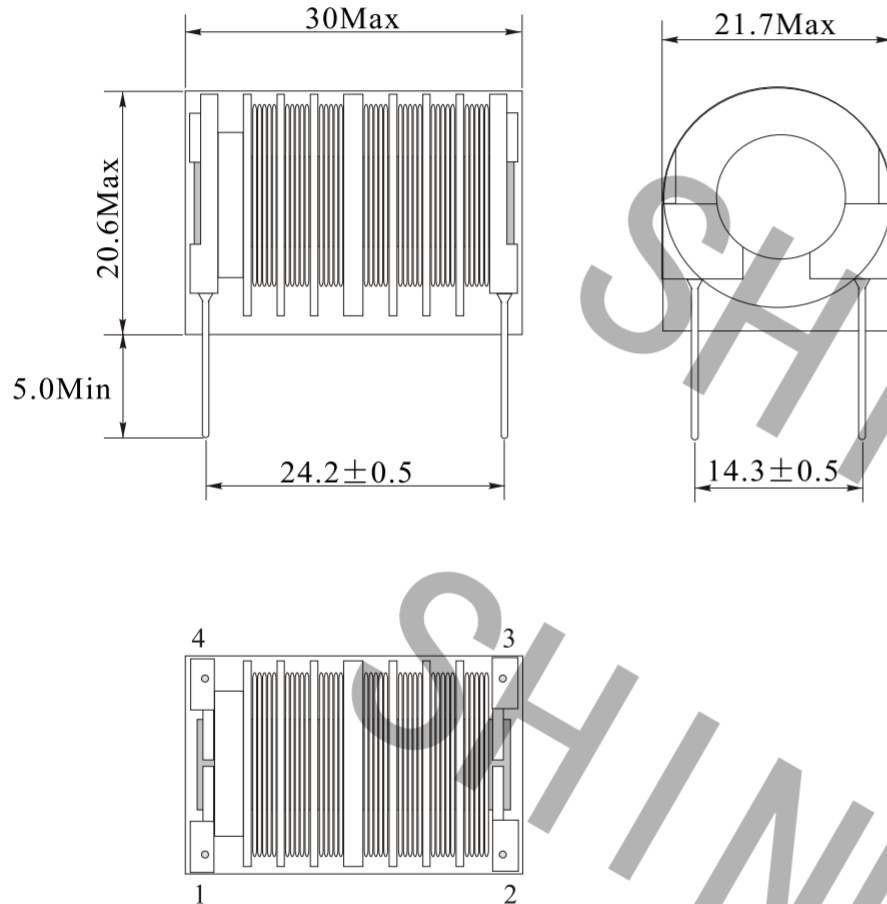
NOTES:

Temp 20°C 48%RH
RoHS Compliant

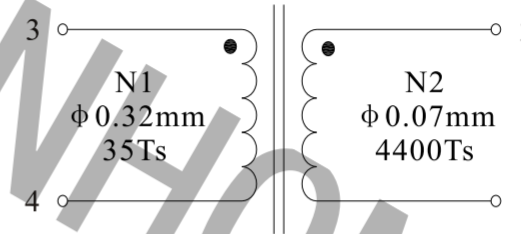
NEME:	Pulse transformer		
CUSTOMER P/N:		DATE:	2020-08-26
SHINHOM P/N:	HT0615-251	REV: A0	PAGE
DRAWN BY	CHECKED BY	APPROVE BY	

Rev.	Description	Date
A0	New release	2022.03.28

1. PHYSICAL CHARACTERISTICS(mm)



2. ELECTRONICAL SCHEMATIC



3. ELECTRONICAL SPECIFICATIONS

Turns ratio: 35:4400

Inductance: N1: 105uH±20%@1.0KHz,1V

N2: 580mH±20%@1.0KHz,1V

Note:

- 1.Solderability:leads shall meet MIL-STD-202, Method 208D for solderability.
- 2.Flammability: UL94V-0
- 3.ASTM oxygen index: >28%

Test Instrument: WK3260B+3261A

NOTES:

Temp 20°C 48%RH
RoHS Compliant

NAME:	High voltage transformer		
CUSTOMER P/N:		DATE:	2022-03-28
SHINHOM P/N:	HT0828-35-4400	REV: A0	PAGE
DRAWN BY	CHECKED BY	APPROVE BY	

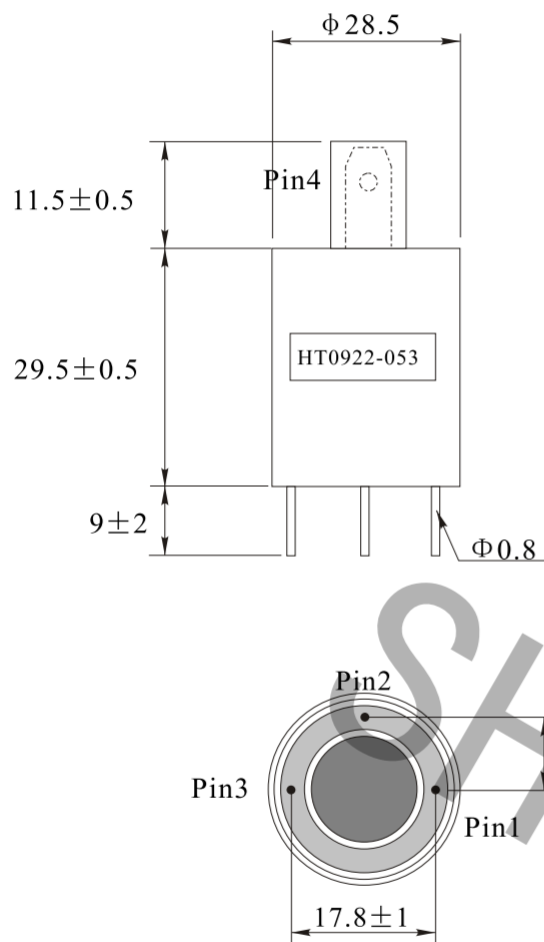


SHINHOM
SHAANXISHINHOM ENTERPRISE CO LTD

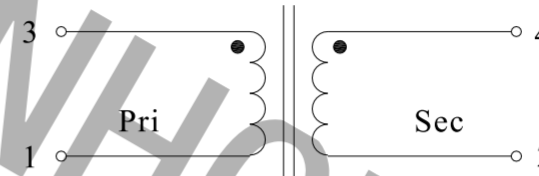
The Document property belong to SHINHOM & is not allowed to be duplicated without authorization

Rev.	Description	Date
A0	New release	2016.11.03

1. PHYSICAL CHARACTERISTICS (mm)



2. ELECTRONICAL SCHEMATIC



3. ELECTRONICAL SPECIFICATIONS

Turns ratio: Pri:Sec=1:53
 Pri DCR: 100mΩ Max
 Sec DCR: 300Ω Max
 Pri inductance: 17.5uH ± 5uH@1.0Hz,1V
 Sec inductance: 50mH ± 10mH@1.0Hz,1V

4. MATERIAL LIST

No	MATERIAL	MATERIAL SPEC	PROVIDER	UL.NO
1	Epoxy	102GF30UVW Transparent	Beijing hanlun industrial plastics Co.,Ltd	E243880
2	WIRE	MW79#	Xu zhou shengbao industryCo.,Ltd	E194766
3	Bobbin	PBT4130 White	Yun Cheng plsadtics Co., Ltd	F48285CM
4	Shell	ABS PA-765A Black	Chi Mei Corporation	E56070

NAME:		High voltage ignition coil	
CUSTOMER P/N:		DATE:	2016-11-03
SHINHOM P/N:		HT0922-053	REV: A0
DRAWN BY		CHECKED BY	APPROVE BY

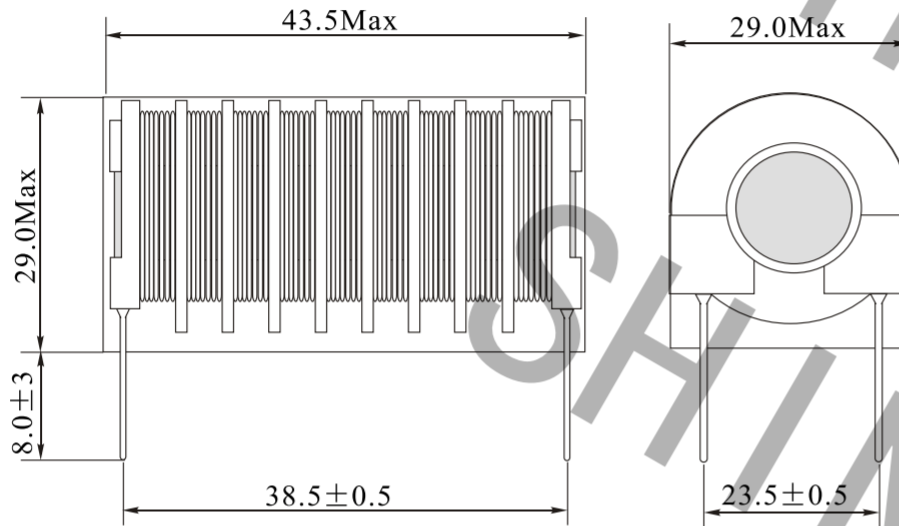


SHINHOM
SHAANXISHINHOM ENTERPRISE CO LTD

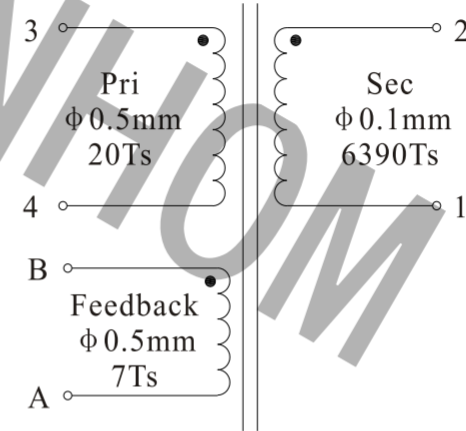
The Document property belong to SHINHOM & is not allowed to be duplicated without authorization

Rev.	Description	Date
A0	New release	2021.12.16

1. PHYSICAL CHARACTERISTICS (mm)



2. ELECTRONICAL SCHEMATIC



3. ELECTRONICAL SPECIFICATIONS

Inductance: Pin3-4: $20.0\mu\text{H} \pm 20\%$ @ 1KHz, 0.1V

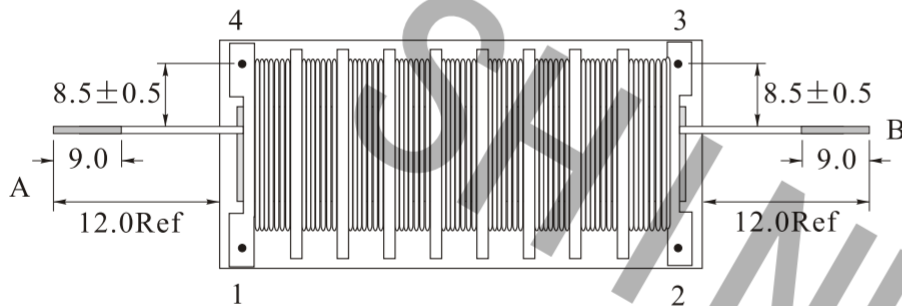
Pin2-1: $1.4\text{H} \pm 20\%$ @ 1KHz, 0.1V

Turns ratio: Sec: Pri = 6390:20

DCR: Pin3-4: $72\text{m}\Omega \pm 10\%$

Pin2-1: $815\Omega \pm 7\%$

Operating temperature: -25°C to $+105^\circ\text{C}$



NOTES:

Temp 20°C 48%RH
RoHS Compliant

NEME:	Ignition transformer		
CUSTOMER P/N:		DATE:	2021-12-16
SHINHOM P/N:	HT1040-642-3	REV: A0	PAGE
DRAWN BY	CHECKED BY	APPROVE BY	

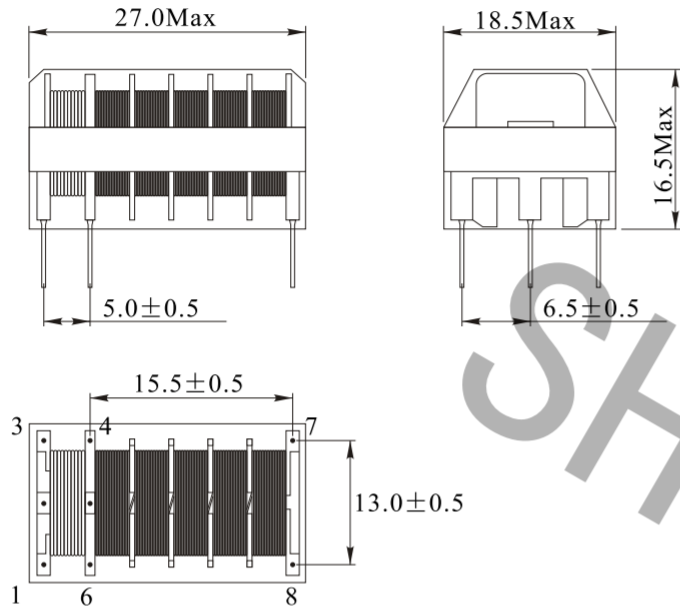


SHINHOM
SHAANXISHINHOM ENTERPRISE CO LTD

The Document property belong to SHINHOM & is not allowed to be duplicated without authorization

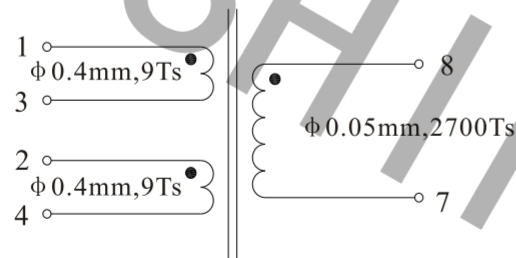
Rev.	Description	Date
A0	New release	2021.11.09

1. PHYSICAL CHARACTERISTICS (mm)



Bottom view

2. ELECTRONICAL SCHEMATIC



3. ELECTRONICAL SPECIFICATIONS

Inductance(1-3)=(2-4): 7~16uH@1KHz,0.1V

DCR(1-3)=(2-4): 37mΩ ±20%

Inductance(8-7): 1.0H ±20%@1KHz,0.1V

DCR(8-7): 650Ω ±20%

4. MATERIALS

No.	Name	Ratings	Manufacturer name
1	magnetic core	EEL16 PC40	SONGNA
2	copper wire	φ 0.05mm 2UEW	JINGWEI
		φ 0.4mm 2UEW	
3	adhesive tape	130°C	WENLIAN
4	skeleton	150°C	ZHISHENG
5	epoxy	TA228	PINTE
6	curing agent	B2006	PINTE
7	tin	Green tin	HONGXINGWEI

NAME:	High voltage transformer		
CUSTOMER P/N:		DATE:	2021-11-09
SHINHOM P/N:	HT16L-2700-18	REV: A0	PAGE
DRAWN BY	CHECKED BY	APPROVE BY	

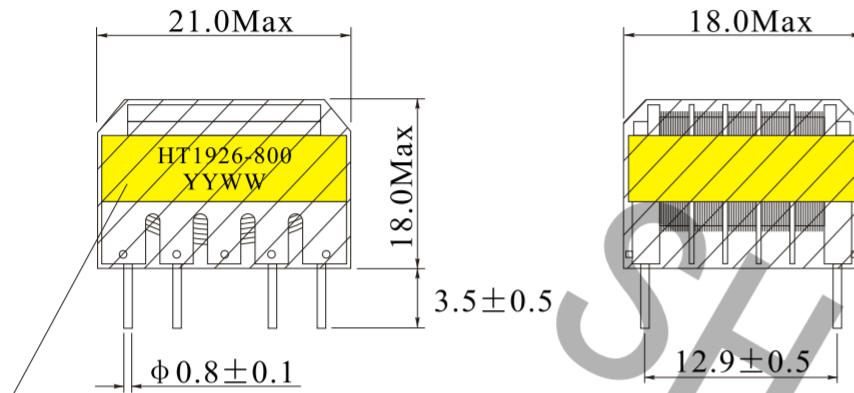


SHINHOM
SHAANXISHINHOM ENTERPRISE CO LTD

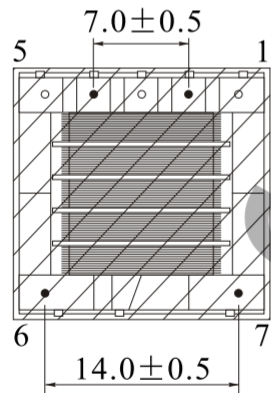
The Document property belong to SHINHOM & is not allowed to be duplicated without authorization

Rev.	Description	Date
A0	New release	2022.06.28

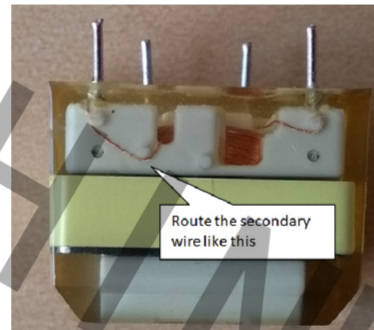
1. PHYSICAL CHARACTERISTICS (mm)



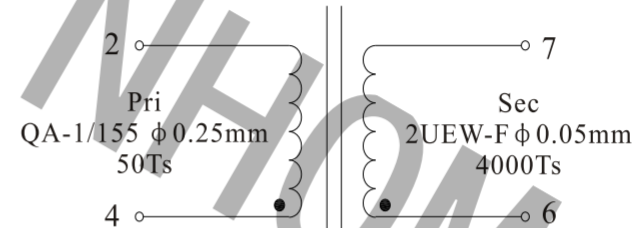
Mark label before encapsulation



Note: Secondary correct output mode



2. ELECTRONICAL SCHEMATIC



3. ELECTRONICAL SPECIFICATIONS

Turns ratio: Pri : Sec=1:80

Inductance(2-4): 190uH ± 20%@10KHz,0.1V

Inductance(7-6): 960mH ± 20%@10KHz,0.1V

Operating temperature: -25°C to 85°C

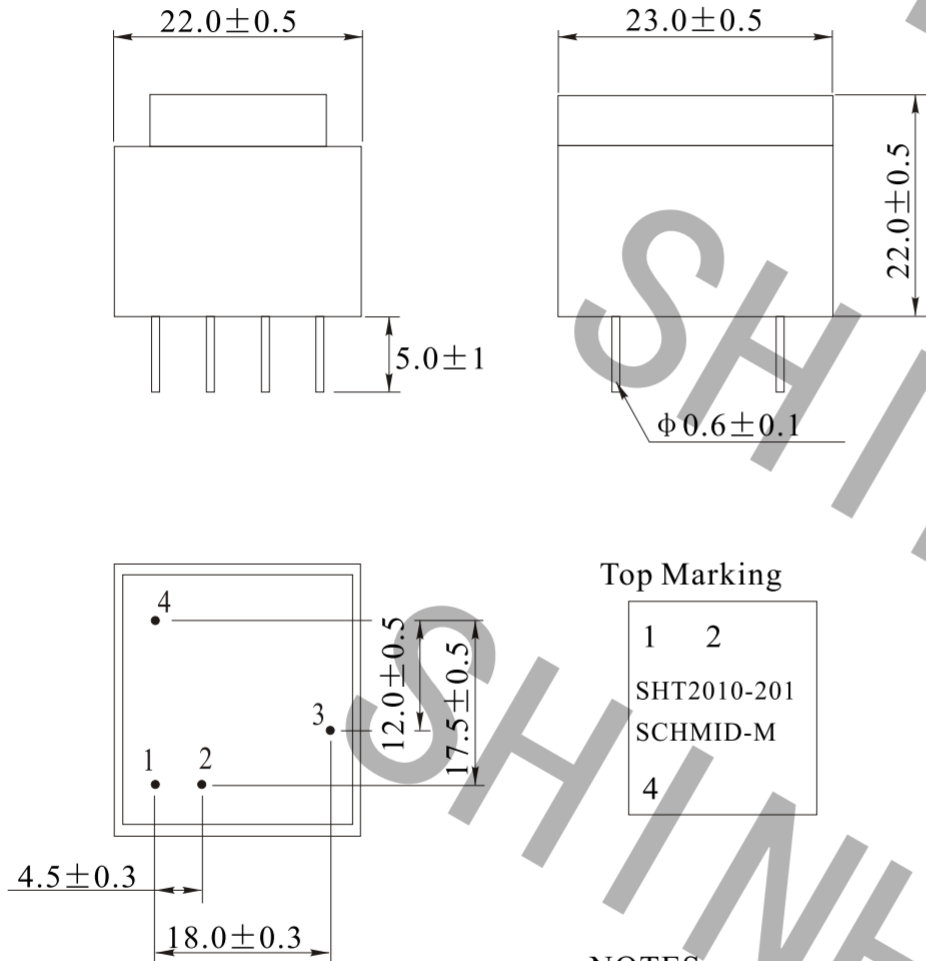
NOTES:

Temp 20°C 48%RH
RoHS Compliant

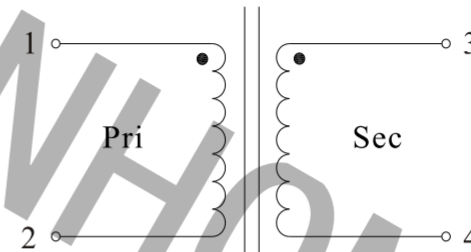
NEME:	High voltage transformers		
CUSTOMER P/N:		DATE:	2022-06-28
SHINHOM P/N:	HT1926-800	REV: A0	PAGE
DRAWN BY	CHECKED BY	APPROVE BY	

Rev.	Description	Date
A0	New release	2018.07.11

1. PHYSICAL CHARACTERISTICS (mm)



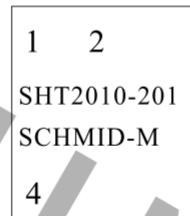
2. ELECTRONICAL SCHEMATIC



3. ELECTRONICAL SPECIFICATIONS

- Turns ratio: 1:200
- Pri voltage: 10~200V
- Sec voltage: 22kV Min
- Pri DCR: $26\text{m}\Omega \pm 15\%$
- Sec DCR: $520\Omega \pm 15\%$
- Pri inductance: $6\mu\text{H} \pm 15\% @ 100\text{Hz}, 0.3\text{V}$
- Sec inductance: $240\text{mH} \pm 15\% @ 100\text{Hz}, 0.3\text{V}$
- Output power: 1W
- Noload work time: 30S
- Operating temperature: 0°C to $+80^\circ\text{C}$

Top Marking



NOTES:

Temp 20°C 48%RH
RoHS Compliant

NAME:	High voltage transformers		
CUSTOMER P/N:		DATE:	2018-07-11
SHINHOM P/N:	HT2010-201	REV: A0	PAGE
DRAWN BY	CHECKED BY	APPROVE BY	

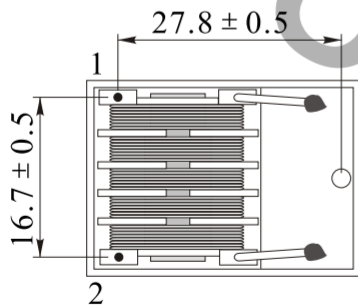
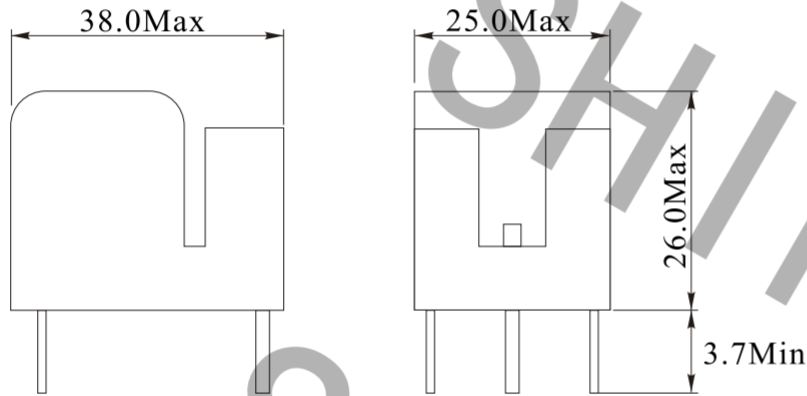
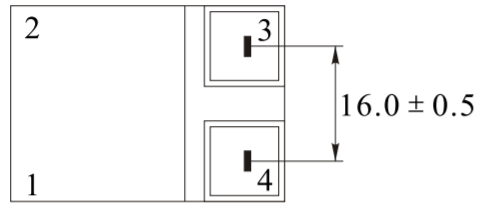


SHINHOM
SHAANXISHINHOM ENTERPRISE CO LTD

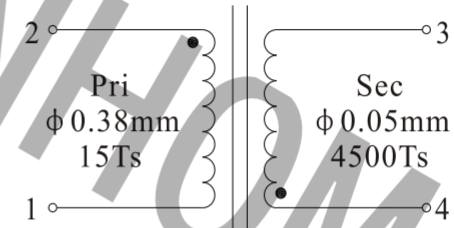
The Document property belong to SHINHOM & is not allowed to be duplicated without authorization

Rev.	Description	Date
A0	New release	2020.04.28

1. PHYSICAL CHARACTERISTICS (mm)



2. ELECTRONICAL SCHEMATIC



3. ELECTRONICAL SPECIFICATIONS

Inductance: Pin2-1: 10uH ± 20% @ 1KHz, 0.3V

Pin4-3: 500mH ± 20% @ 1KHz, 0.3V

Turns ratio: Sec: Pri = 300 Ref

DCR: Pin2-1: 80mΩ ± 20%

Pin4-3: 1600Ω ± 20%

NOTES:

Temp 20°C 48%RH
RoHS Compliant

NEME:	Ignition transformer		
CUSTOMER P/N:	2179	DATE:	2020-04-28
SHINHOM P/N:	HT2528V-241-2	REV: A0	PAGE
DRAWN BY	CHECKED BY	APPROVE BY	

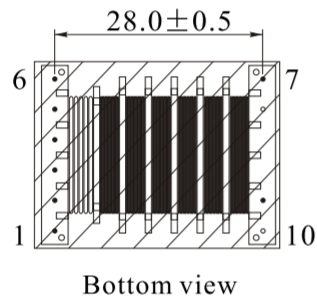
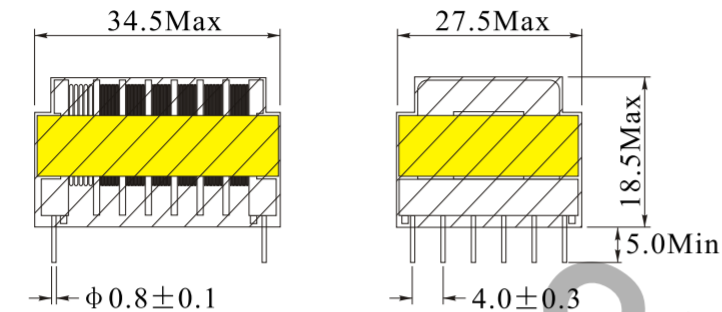


SHINHOM
SHAANXISHINHOM ENTERPRISE CO LTD

TEL: +86-029-87851838
FAX: +86-029-87851840
ZIP: 710054
Http://www.shinhom.com
E-mail: shinhom@globalsources.com
sales@shinhom.com.cn
NO. 8, Yanta Northern Road, Xi'an Shaanxi Pro. China

Rev.	Description	Date
A0	New release	2022.05.17

1. PHYSICAL CHARACTERISTICS (mm)



Cut off pin8,10

3. ELECTRONICAL SPECIFICATIONS

Inductance(4-2): $99\mu\text{H} \pm 20\% @ 1\text{KHz}, 0.1\text{V}$

DCR(4-2): $0.15\Omega \pm 20\%$

Inductance(9-7): $365\text{mH} \pm 17\% @ 1\text{KHz}, 0.1\text{V}$

DCR(9-7): $191\Omega \pm 20\%$

Test Instrument:

L: HP4284A

RDC: HM2540

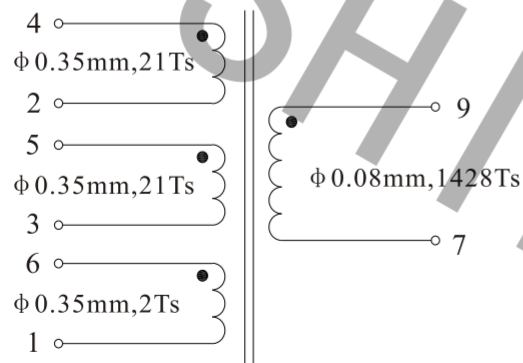
Note:

1. Solderability: leads shall meet MIL-STD-202, Method 208D for solderability.

2. Flammability: UL94V-0

3. ASTM oxygen index: >28%

2. ELECTRONICAL SCHEMATIC



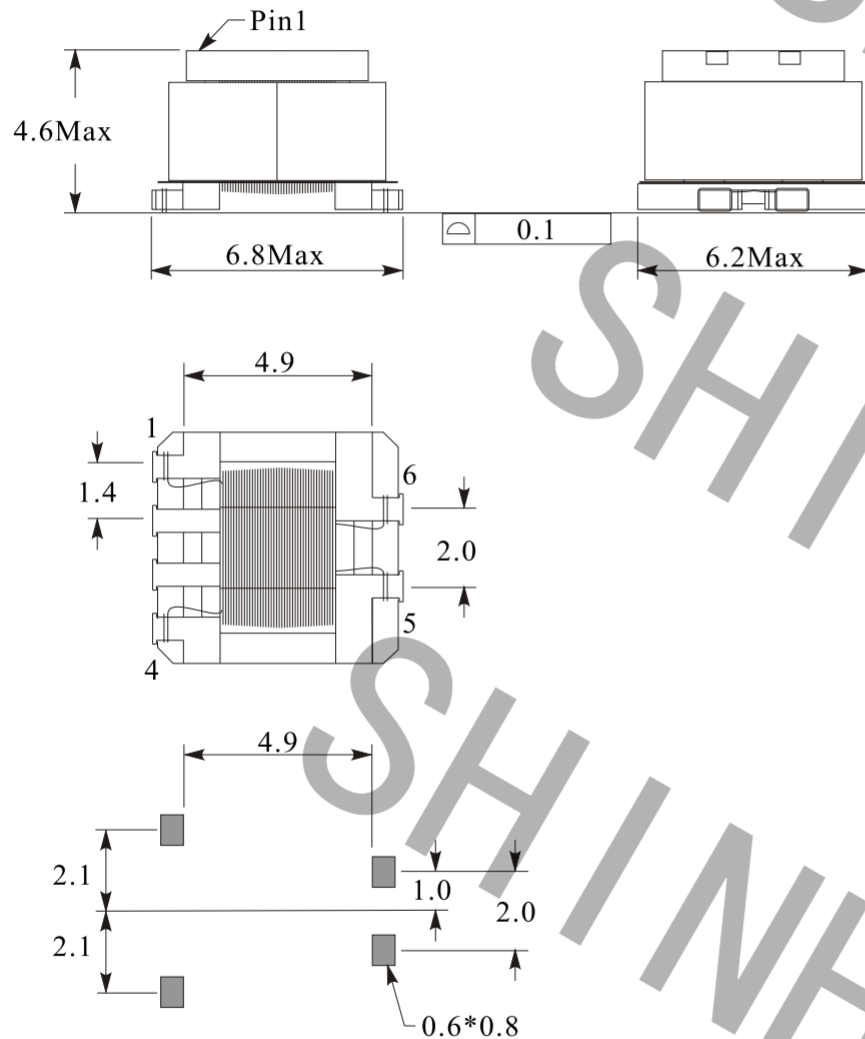
SHINHOM
SHAANXISHINHOM ENTERPRISE CO LTD

The Document property belong to SHINHOM & is not allowed to be duplicated without authorization

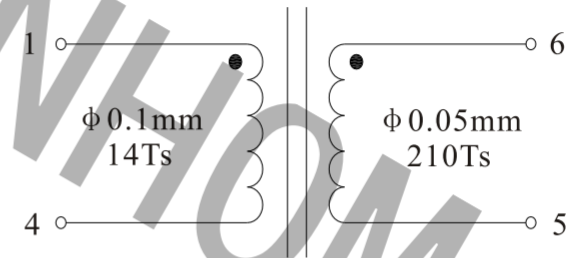
NAME:	High voltage transformer		
CUSTOMER P/N:	EEH2513	DATE:	2022-05-17
SHINHOM P/N:	HT25L-1482-44	REV: A0	PAGE
DRAWN BY	CHECKED BY	APPROVE BY	

Rev.	Description	Date
A0	New release	2017.03.20

1. PHYSICAL CHARACTERISTICS (mm)



2. ELECTRONICAL SCHEMATIC



3. ELECTRONICAL SPECIFICATIONS

Turns ratio: (1-4):(6-5)=1:15
 L(1-4): $15\mu\text{H} \pm 10\%$ @1.0KHz, 1V
 Lk: $0.3\mu\text{H Max}$ @100KHz, 0.1V
 DCR(1-4): $1.0\ \Omega$ Max
 DCR(6-5): $25\ \Omega$ Max
 Ipk: 1.2A
 Inductance(Ipk): $13.5\mu\text{H Min}$ @1.0KHz, 1V
 Ambient temperature: -40°C to $+125^\circ\text{C}$
 Operating temperature: -40°C to $+125^\circ\text{C}$

Recommended LAN Pattern

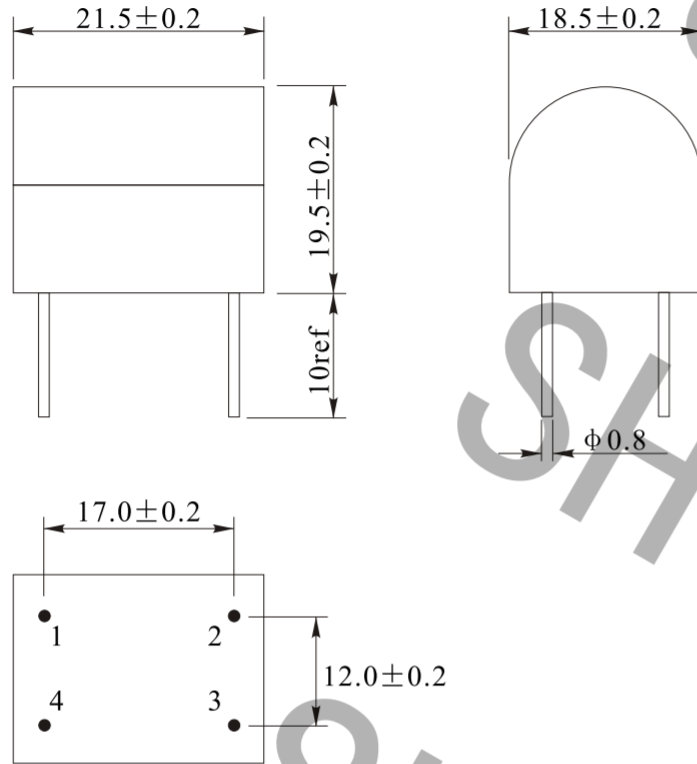
NAME:	High voltage transformers		
CUSTOMER P/N:	CJ5143-AL	DATE:	2017-03-20
SHINHOM P/N:	HT5143	REV: A0	PAGE
DRAWN BY	CHECKED BY	APPROVE BY	



SHINHOM
 SHAANXISHINHOM ENTERPRISE CO LTD

The Document property belong to SHINHOM & is not allowed to be duplicated without authorization

MECHANICAL DIMENSION:(UNIT:mm)



WINDING:

WDG	TERMINAL	WIRE SIZE	TURNS	REMARKS
N1	4-3	ϕ0.4mm	35TS	
N2	1-2	ϕ0.06mm	3200TS	

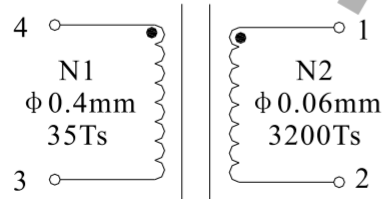
ELECTRICAL CHARACTER:

NO.	ITEM	MEASURED POINT	TECHNICAL DATA	TEST CONDITION & INSTRUMENT
1	Inductance	4-3	31.5uH±10%	1KHz 0.25V
		1-2	250mH±10%	
2	DCR	4-3	115mΩ ±10%	HM2540
		1-2	700Ω ±10%	

MATERIAL LIST:

NO.	ITEM	MATERIALS	RATING	FILE NO	SUPPLIERS
1	CORE	R6.5X21	---	---	SHANDONG ZHAOYUAN GAOXIANGDI ANZIYOUXIAN GONGSI CO.,LTD
2	WIRE	EIW (POLYESTERIMIDE)	180℃	E85640	TAH ELECTRIC WIRE&CABLE CO.,LTD
3	BOBBIN	PBT	130℃	E130155	NAN YA PLASTICS CORP
4	EPOXY	HASUNCAST 3010	110℃	E86165	SHENZHEN SHI HUASHENG TONGCHUAN GKEJIYOUXIANGONGSI CO.,LTD

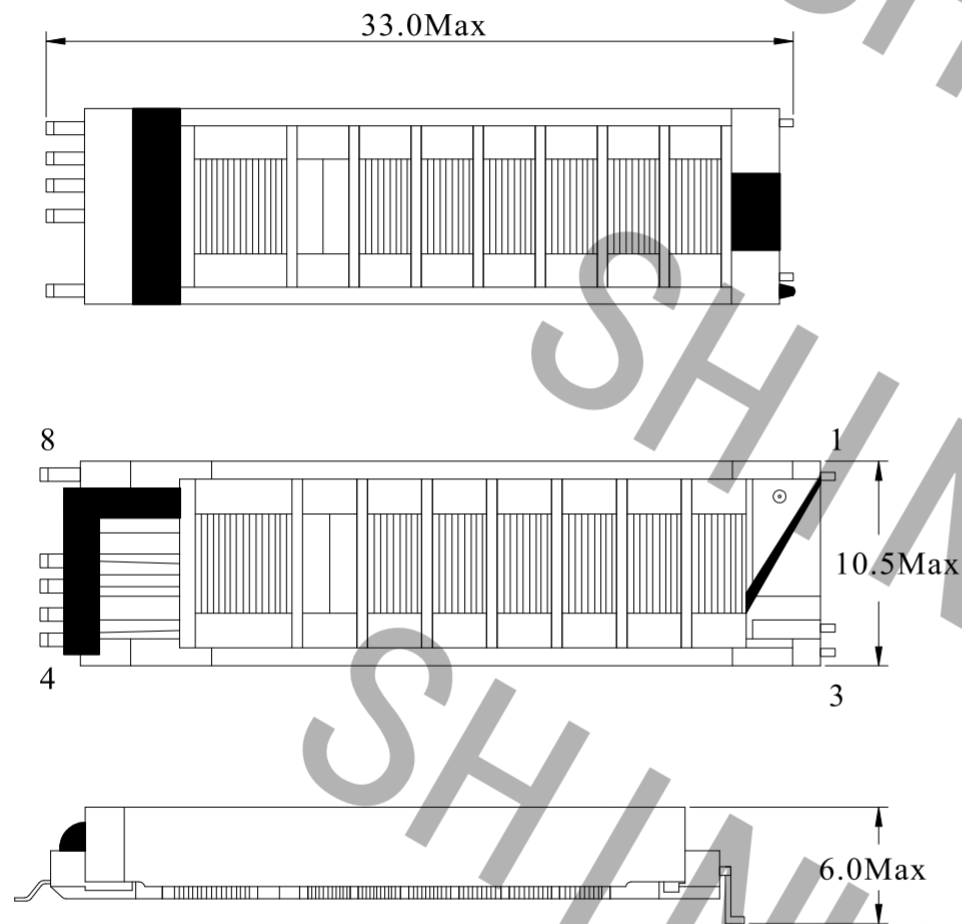
SCHEMATIC:



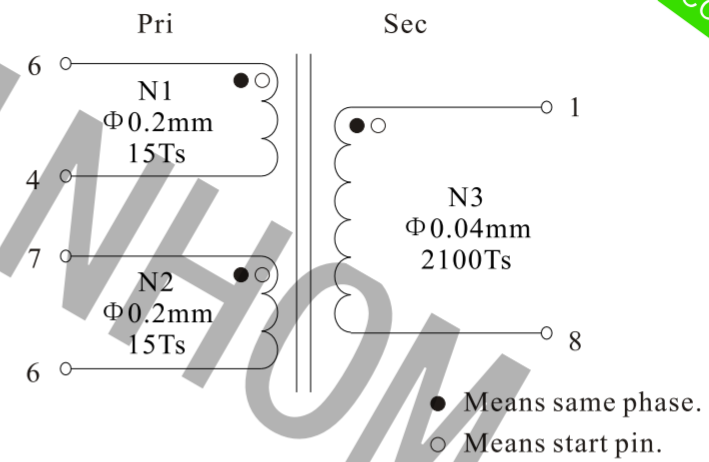
NAME:		Ignition Transformers	
CUSTOMER P/N:		DATE:	2011-06-02
SHINHOM P/N:		HT6521	REV: A0 PAGE
DRAWN BY		CHECKED BY	APPROVE BY



1. PHYSICAL CHARACTERISTICS(mm)



2. ELECTRONICAL SCHEMATIC



3. ELECTRONICAL SPECIFICATIONS

- Inductance: Pin1-8: 0.68H Min@1KHz,1V
- Pin6-4: 32.8uH Min@1KHz,1V
- Pin7-6: 32.8uH Min@1KHz,1V
- Lk: Pin1-8: 0.23mH±15%@40KHz,1V
- Pin6-4: 11uH±15%@40KHz,1V
- Pin7-6: 11uH±15%@40KHz,1V
- DCR: Pin1-8: 0.67K Ω Max
- Pin6-4: 0.2 Ω Max
- Pin7-6: 0.19 Ω Max
- Hi-Pot: Pri-Sec: 3.0KVac,5mA,2S
- Pri-Core: 1.0KVac,5mA,2S
- Sec-Core: 3.0KVac,5mA,2S

NOTES:
Temp 25°C 48%RH
RoHS Compliant

NAME:		Transformer	
CUSTOMER P/N:	FT-BIT0908A	DATE:	2012-05-29
SHINHOM P/N:	HTUI98-032	REV: A0	PAGE
DRAWN BY	CHECKED BY	APPROVE BY	